

**vitris**  
Glass fittings with logic



# vitris the system

Vitris is the solution for all situations in which glass requires the perfect frame. It is a complete range consisting of profiles, fittings and locks for interior, showcase, shop or trade show furnishings. All system components are precisely coordinated and allow for many different combinations to take account of the greatest variety of dimensions and glass thicknesses. Innovative solutions with regard to details such as the screwless roller assembly or the integrated damping device are unique. Vitris is the modular fittings system to meet the most demanding requirements as regards long-lasting function,

aesthetic design, high security and trouble-free assembly.

Note: The complete Vitris range of Willach is always available for immediate delivery from Willach's Ruppichteroth (Germany) production site.



### Modular system

#### 1 Glass thicknesses from 4 - 12 mm

The modular principle is consistently applied throughout the whole of the Vitris range: fittings can be used universally for a variety of glass thicknesses from 4 to 12 mm.

#### 2 The size and look of locks, adapters and finger pull handles

have been coordinated with the profiles and other fittings components, thus producing a convincing and complete solution.

#### 3 Secura lock types

The interchangeable cylinder core can be universally fitted to all Secura lock types.

### Long-lasting function

#### 4 Roller technology

Vitris roller assembly in a single-unit spring steel housing for precise centring, self-alignment in the housing and extremely quiet running action.

#### 5 Roller design

Long-lasting easy and quiet running action using ball bearings with steel outer ring and plastic coating.

#### 6 Non-wearing flocking

The high quality flocking, applied by machine, guarantees a high degree of wear resistance and a long-lasting quiet running action.

### High level of security

#### 7 The 3-point security

for showcases (Secura lock • damping/anti-theft device • top twin-guide) prevents vertical lifting and horizontal pushing apart of the sashes.

#### 8 Adjustable damping/anti-theft devices

brake and retain the sashes and prevent them from being lifted off at their end position.

#### 9 Security dead bolt mechanism

The patented dead bolt mechanism prevents the sliding door sections from being pushed apart.

### Simple assembly

**10** The **Vitris mounting tool for roller assembly** enables instant and clean assembly without the need for screws.

#### 11 Fast assembly

The Allen key allows a fast and simple assembly of locks, adapters and handles.

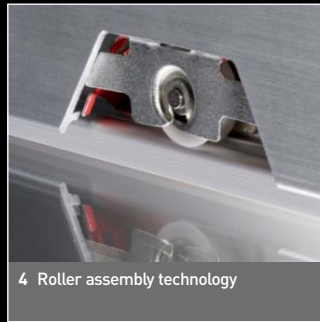
#### 12 Brush draught excluder clips

to ensure optimum draught and dust protection.

### Modular system



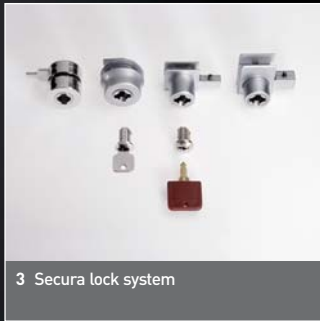
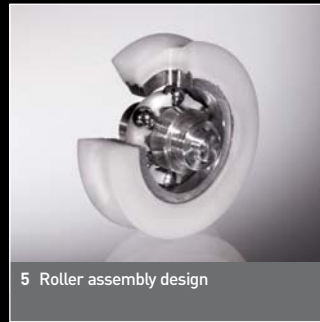
### Long-lasting function



### High level of security



### Simple assembly



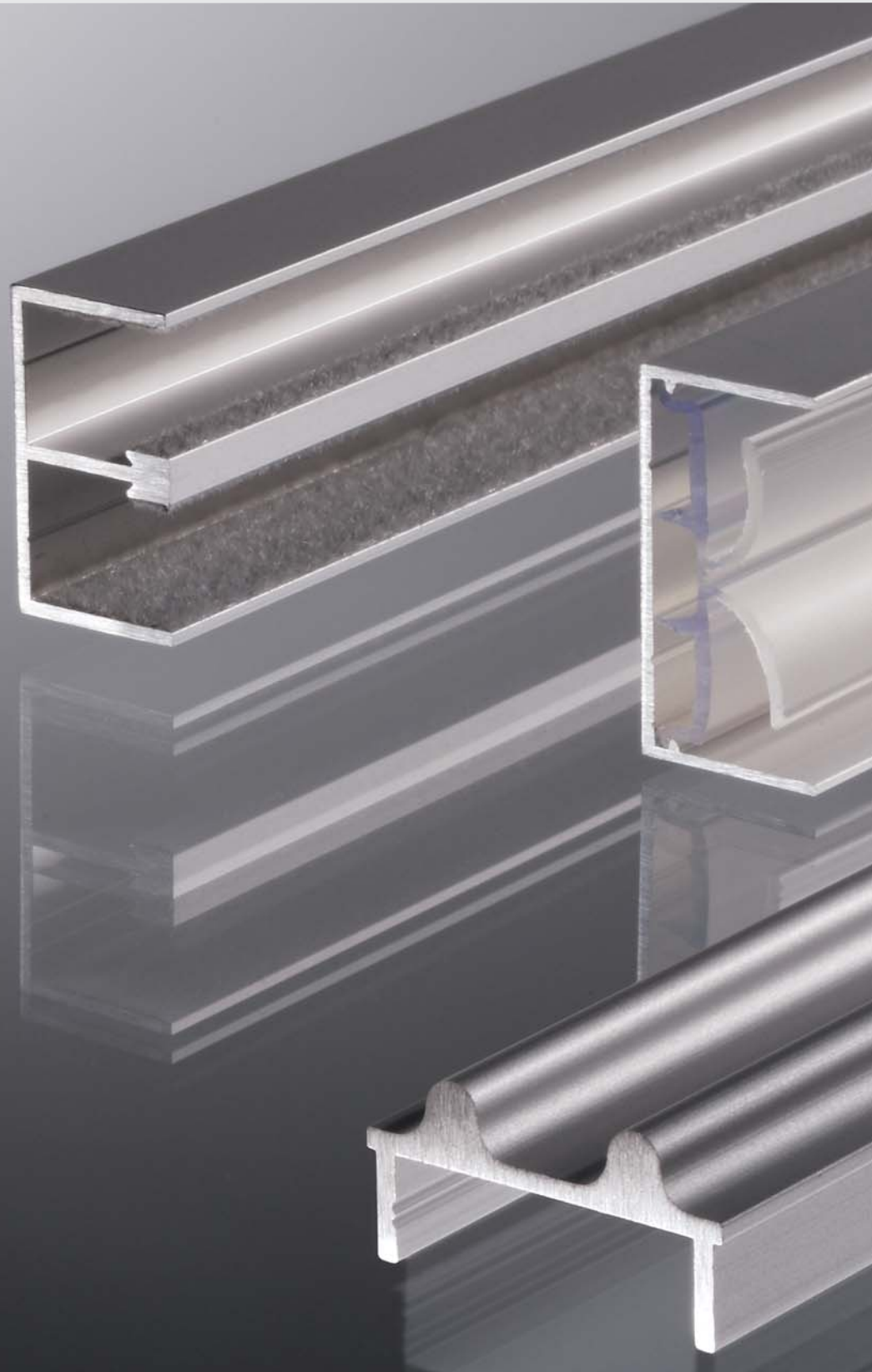


**vitris**  
supra

Supra is a universally usable sliding fittings system for glass thicknesses of 4, 5, 6 and 8 mm. The high quality flocking of the top twin-guides, the superior roller technology, the secure combination of glass and metal through transparent plastic bedding profiles as well as the invisibly integrated damping and anti-theft devices provide for the perfect, long-lasting, easy and quiet functioning of the glass sliding doors. Endurance tests undertaken by Willach demonstrate the superiority of this roller technology in comparison to conventional rollers: even after 40,000 sash movements there was no recognisable or noticeable wear.



Supra profiles are available in the surface finishes silver, gold and stainless steel anodised as well as white powder-coated.



**1 Dust protection and damper profile**

The Supra frame profile sections enable the flush assembly of the sash and runner section. The dust protection and damper profile forms an optimum buffer zone between glass and metal and ensure that no dust can get in.

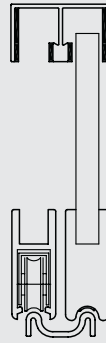
**2 Supra roller technology** permits a load of up to 25 kg with 2 rollers and up to 50 kg with 4 rollers (result of endurance tests at the Willach sliding door test facility).

**3 Non-wearing flocking** provides for long-lasting quiet running action and prevents "rattling" of the glass sliding doors.

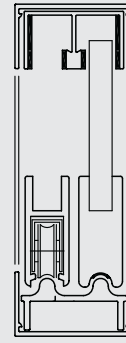
**4 Supra frames** allow for visually convincing solutions. Two additional components enable all-round frame designs possible.

**5 Fast assembly** Double-sided self-adhesive strips on Supra bottom tracks enable fast assembly without unwanted screw

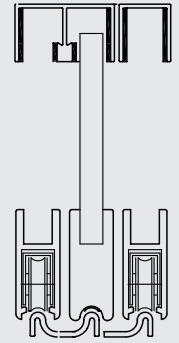
**6 Single and twin bottom tracks** allow for single or multiple sash designs.



Supra fittings



Supra frame fittings



Supra triple track fittings



1 Dust protection and damper profile



2 Supra roller assembly technology



3 Non-wearing flocking



4 Supra frame fittings



5 Fast assembly



6 Single and twin bottom track

# vitris secura

Secura is a high security cylinder lock for glass sliding doors. Its patented design provides maximum security and protection against manipulation: no horizontal pushing apart, no pushing out and no lifting of the sashes anymore. Its modular system consists of a high security cylinder lock in the front sash, an adapter in the rear sash and an interchangeable cylinder core which can be either supplied to pass or to differ. Its assembly is as fast as it is simple. Lock and adapter have been coordinated with the runner profile in design and surface specification. When combined with the Vitris profiles, aesthetically discerning complete solutions for interior furnishings can be realised.

**1 The dimensions and design of the finger pull handle, adapter and lock** are coordinated with the Vitris runner profile and make for an aesthetically pleasing overall appearance.

**2 The Secura security cylinder glass door lock** at an ergonomic height provides for the greatest security and prevents the glass doors from being pushed apart half-way up the sash.

**3 Non-manipulable design**  
The special design with a knurled surface prevents the lock-housing from being twisted on the sash.

**4 The universally usable cylinder core** is suitable for all Secura lock type and can be supplied either to pass or to differ. The cylinder core can be easily substituted with the dismantling key.

**5 Security dead bolt mechanism**  
With the patented Secura dead bolts mechanism, an L-cam in the front sash interlocks with the adapter of the rear sash, thus preventing the sashes from being pushed apart horizontally.

**6 Glass door lock** with triple function: handle – security – lock in lower guide.



1 Finger pull handle, adapter and lock



2 Secura security cylinder glass door lock



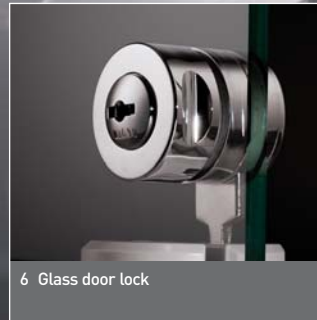
3 Non-manipulable design



4 Universally usable cylinder core

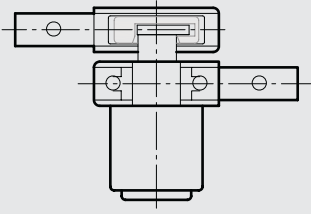


5 Security dead bolt mechanism

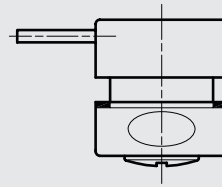


6 Glass door lock

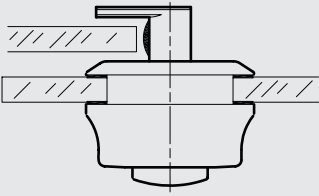




1 4 5 Secura high security cylinder lock



6 Secura glass door lock with locking latch in the lower guide



2 3 Secura security cylinder glass door lock



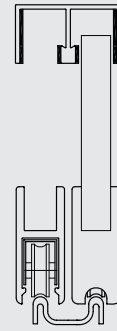
# vitris robustus

Robustus is a fittings system for glass thicknesses from 8 to 12 mm. It can be used in a range between 70 kg (2 rollers) and 140 kg (4 rollers) and is therefore also suitable for security glass. **1** The option of a lateral frame profile section with damper profile protects the glass at the edges and stops dust. **2** Adjustable end position damping devices stop the glass from striking the lateral frame and at the same time prevent it from being lifted off. All the other quality characteristics correspond to those of the Supra range.

**3** The Robustus **frame profile sections** enable the flush assembly of the sashes and runner profiles.

**4** The **dimensions and design of the finger pull handle, adapter and lock** are coordinated with the Vitris runner profile and make for an aesthetically pleasing overall appearance.

**5** The **Robustus roller technology** allows for a load of up to 70 kg with 2 rollers and up to 140 kg with 4 rollers.



Robustus fittings



Robustus profiles are available in the surface finishes silver and stainless steel anodised.



NEW

3 Robustus frame profile



4 Finger pull handle, adapter and lock



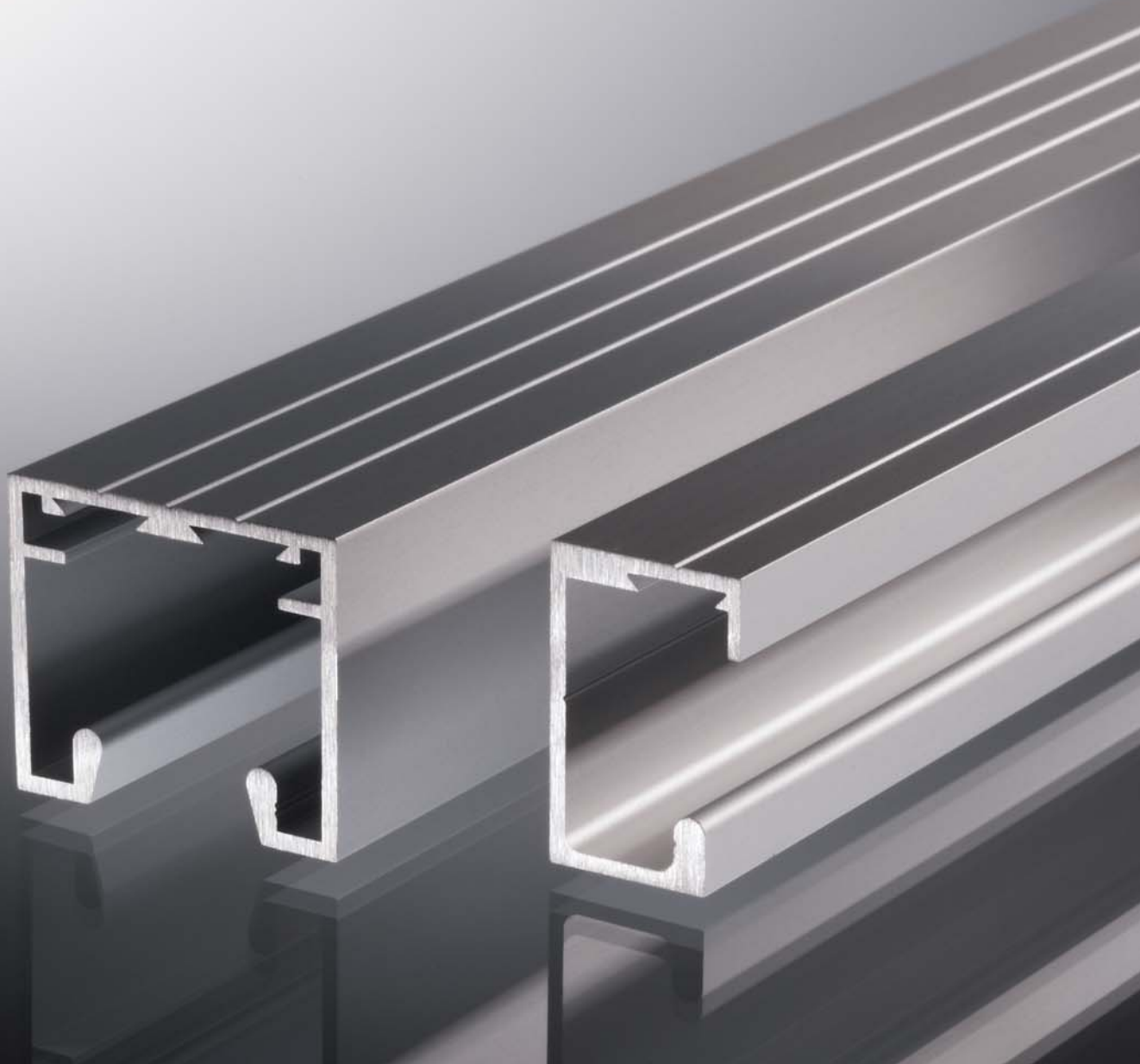
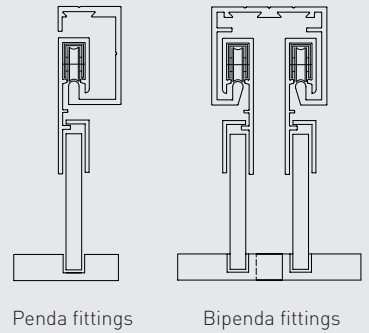
5 Robustus roller technology



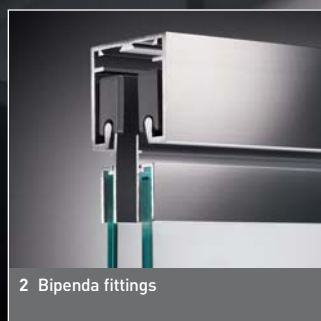
# vitris penda/bipenda

This single track (Penda) and twin track (Bipenda) hanging sliding system is suitable for glass thicknesses up to 8 mm. The modular system comprises tracks, hanging profiles, cover profiles, lower guides and accessories. The high quality roller technology with concealed roller system (max. 50 kg with 4 rollers) and the assembly advantages are the same as those of the Supra range. Ideal for all uses which require a base without fittings or which cannot be machined (e.g. public counters, parquet flooring).

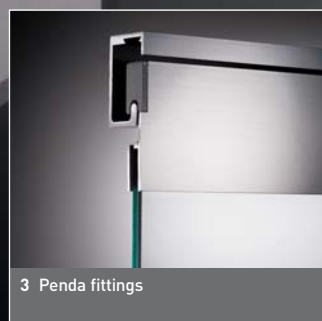
- 1 Completely **concealed roller technology** with proven Vitris characteristics.
- 2 **Bipenda fittings** for two-sash sliding door.
- 3 **Penda Fittings** for single-sash sliding door.
- 4 **Glass door lock** with Secura cylinder technology and triple function: handle - security - lock in lower guide.



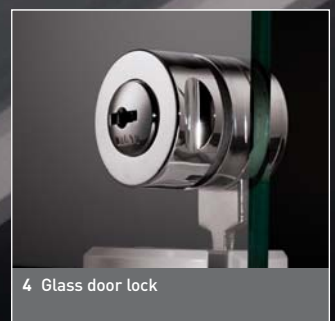
1 Concealed roller technology



2 Bipenda fittings



3 Penda fittings



4 Glass door lock



**Dura and Durus** are aluminium gliding fittings for glass thicknesses up to 4 mm (Dura) or 6 mm (Durus). They are suitable for light sashes which slide on colour-coordinated plastic inserts.

**Mirror fixing profiles** are suitable for mirror thicknesses up to 6 mm and available in a choice of 10 mm or 20 mm front upstands. A drill guide enables precise and fast assembly because the profile and wall plug hole are drilled simultaneously. The surface finishes silver, gold, brown anodised as well as white powder-coated are available for delivery.

**U-profiles** can be used for glass applications of 4 - 8 mm. They have a silver anodised surface which ensures an attractive, high quality appearance.

**Glazing profiles (corner profiles, end profiles and central profiles)** are the ideal solution when a glass dividing wall is being built. Combined with Supra bedding profiles, glass thicknesses of 4 - 8 mm can be optimally processed.



Dura/Durus



U-profiles



Mirror fixing profiles



**Glazing profiles (corner profiles, end profiles and central profiles) for glass dividing walls**

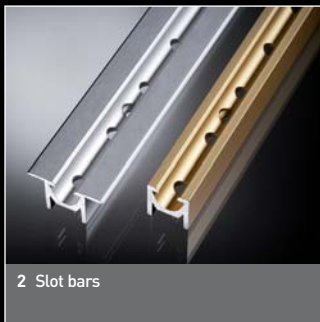
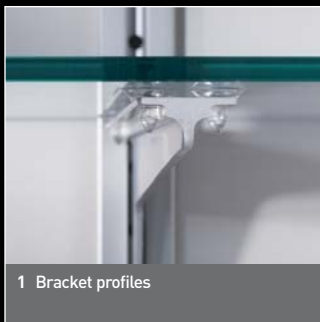
# vitris shelving bracket system

The Vitris slot bar shelving bracket system, made of stable extruded aluminium profiles, provides for attractive and flexible product presentation. It is equally suitable for glass and wood shelves. The brackets are simply slotted into the front of the bars and can be precisely placed due to a slot distance of 25 mm. The 6 bracket depths of 150 - 400 mm in steps of 50 mm produce a high degree of variety with regard to presentational possibilities.

**1 Bracket profiles** with optimum fixing by means of transparent plastic suction cups and a load capacity up to 40 kg.

**2 The slot bar** system is available in the colours aluminium silver and gold anodised.

**3 Attractive goods presentation** for discerning shop fitting and trade show applications.







## WILLACH

Willach belongs to the leading producers of glass fittings in Europe. The manufacture of products to the highest quality and precision standards has been the supreme dictum of the company since its establishment in 1889. Numerous technical innovations and intelligent solutions with attention to detail meant that Willach was able to build up its pioneering reputation at an early stage. With the Vitris product line, Willach today offers a comprehensive system of high quality glass door fittings, sliding door locks and slot bar systems for discerning interior, shop and trade show furnis-

ings. Vitris products are certified in accordance with ISO standards and are manufactured at Willach's Ruppichteroth (Germany) production site to meet stringent manufacturing standards. This forms the basis for the excellent quality and consistently high level of availability of the complete Vitris range.

Gebr. Willach GmbH  
Stein 2  
53809 Ruppichteroth  
Germany

Tel.: +49 (0)2295 92 08 0  
Fax: +49 (0)2295 92 08 429  
info@vitris.eu  
www.vitris.eu

Certified ISO 9001 by



