

# vitris

Glass fittings with logic



**Article list**

**Portavant – general accessories,  
tools and handles**

**Portavant –  
the innovative system for floor-to-ceiling glass  
sliding doors**



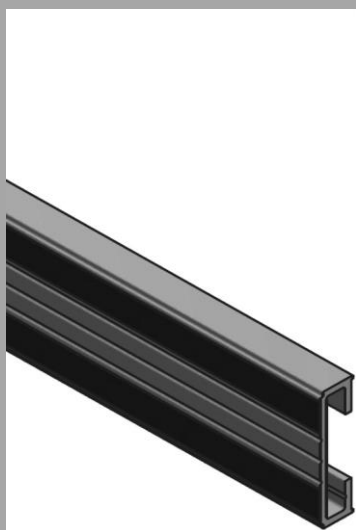
Profiles and accessories for fixed glazing

Pages 3 to 5



Locking system and door stop profiles with/without striking plate

Pages 6 to 7



Spacer profiles

Pages 8 to 11



Floor guides

Page 12



Tools




Pages 13 to 14






Handles

Pages 15 to 16

Profiles for fixed glazing

	Illustration	Description	Profile length	Item number	Finish	Unit	Price in EUR
<p>Do you have a door system with sidelight and would you like to add an infill profile to cover the open groove of the sidelight profile in the door passage area?</p>		<p><b>Infill profile</b> sidelight groove</p>	1496 mm	617 545.1496.110	EV1	1 piece	
				.120	C31	1 piece	
				.190	C35	1 piece	
			2996 mm	617 545.2996.110	EV1	1 piece	
				.120	C31	1 piece	
				.190	C35	1 piece	
			Custom length (mm)	617 545.length.110	EV1	per m (custom length)	
				.120	C31	per m (custom length)	
				.190	C35	per m (custom length)	
			<p>Note: to be clipped into the open sidelight groove in the door passage area. The maximum available profile length is 2996 mm.</p>				
<p>Would you like to frame the sidelights or the glass wall of your system with a floor/wall profile?</p>		<p><b>Floor/wall profile (U-profile)</b> profile height 16 mm, for attaching the sidelight or glass wall to the floor and to the wall</p>	1996 mm	617 520.1996.110	EV1	1 piece	
				.120	C31	1 piece	
				.190	C35	1 piece	
			2996 mm	617 520.2996.110	EV1	1 piece	
				.120	C31	1 piece	
				.190	C35	1 piece	
			3996 mm	617 520.3996.110	EV1	1 piece	
				.120	C31	1 piece	
				.190	C35	1 piece	
			5996 mm	617 520.5996.110	EV1	1 piece	
	.120	C31	1 piece				
	.190	C35	1 piece				
Custom length (mm)	617 520.length.110	EV1	per m (custom length)				
	.120	C31	per m (custom length)				
	.190	C35	per m (custom length)				
<p>Optional accessories: silicone gasket, end plate for floor/wall profile (see page 4).</p>							
<p>Would you like to attach the sidelights or glass wall of your system with a ceiling profile?</p>		<p><b>Ceiling profile (U-profile)</b> profile height 35 mm, for attaching the sidelight or glass wall to the ceiling</p> <p><b>Formula for calculating the glass height of a sidelight in the area of the ceiling profile (mm):</b></p> <p>System height =</p> <p>H = _____</p> <p>Glass height of sidelight in the area of the ceiling profile (mm) =</p> <p>H - 27 mm = _____</p>	1996 mm	617 530.1996.110	EV1	1 piece	
				.120	C31	1 piece	
				.190	C35	1 piece	
			2996 mm	617 530.2996.110	EV1	1 piece	
				.120	C31	1 piece	
				.190	C35	1 piece	
			3996 mm	617 530.3996.110	EV1	1 piece	
				.120	C31	1 piece	
				.190	C35	1 piece	
			5996 mm	617 530.5996.110	EV1	1 piece	
	.120	C31	1 piece				
	.190	C35	1 piece				
Custom length (mm)	617 530.length.110	EV1	per m (custom length)				
	.120	C31	per m (custom length)				
	.190	C35	per m (custom length)				
<p>Optional accessories: silicone gasket, end plate for ceiling profile (see page 4).</p>							




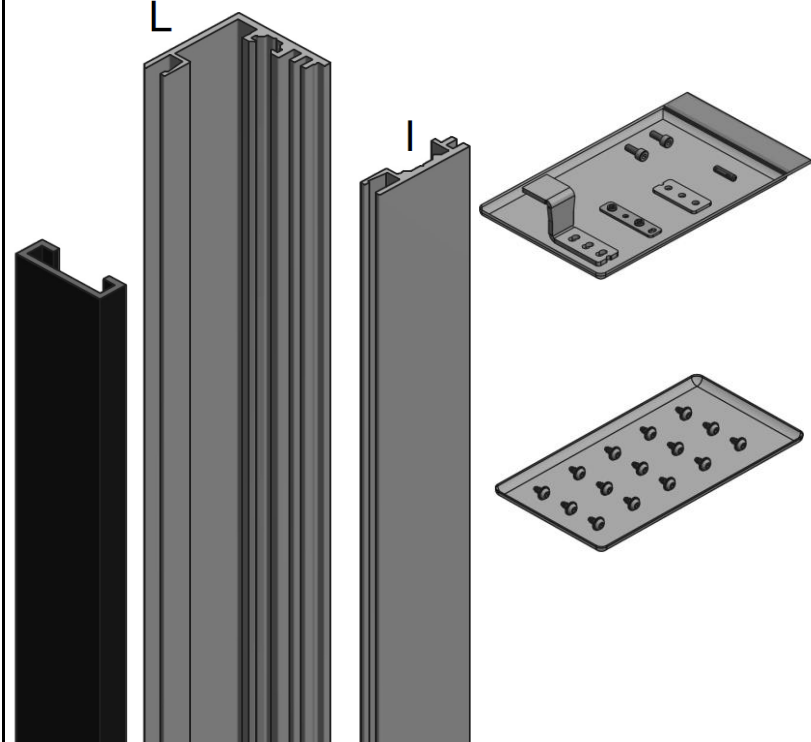
Accessories for fixed glazing

Illustration	Description	Item number	Finish	Unit	Price in EUR	
<p>Do you have the floor/wall profile and would you like to complement it with lateral end plates?</p> 	<p>End plate for floor/wall profile left or right hand use</p>	617 257.0000.110	EV1	1 piece		
		.020	stainless steel	1 piece		
		.190	C35	1 piece		
<p>Do you have a ceiling profile and would you like to complement it with lateral end plates?</p> 	<p>End plate for ceiling profile left or right hand use</p>	617 263.0000.110	EV1	1 piece		
		.020	stainless steel	1 piece		
		.190	C35	1 piece		
<p>Would you like to fix the sidelights or other fixed glazing with a silicone gasket?</p> 	<p>Silicone gasket</p>	Type 1*	617 254.5000.000	transparent	5 m	
		Type 1*	617 254.0000.000	transparent	50 m	
		Type 1*	617 254.5000.090	black	5 m	
		Type 1*	617 254.0000.090	black	50 m	
		Type 2*	617 255.5000.000	transparent	5 m	
		Type 2*	617 255.0000.000	transparent	50 m	
		Type 2*	617 255.5000.090	black	5 m	
		Type 2*	617 255.0000.090	black	50 m	
		Type 3*	617 256.5000.000	transparent	5 m	
		Type 3*	617 256.0000.000	transparent	50 m	
		Type 3*	617 256.5000.090	black	5 m	
		Type 3*	617 256.0000.090	black	50 m	
		<p>* For determining the type of silicone gasket required depending on a) the profile used and b) the glass thickness of the fixed glazing, see the matrix on the next page.</p>				

Matrix to determine the type of silicone gasket required (item nos. 617 254, 617 255, 617 256)

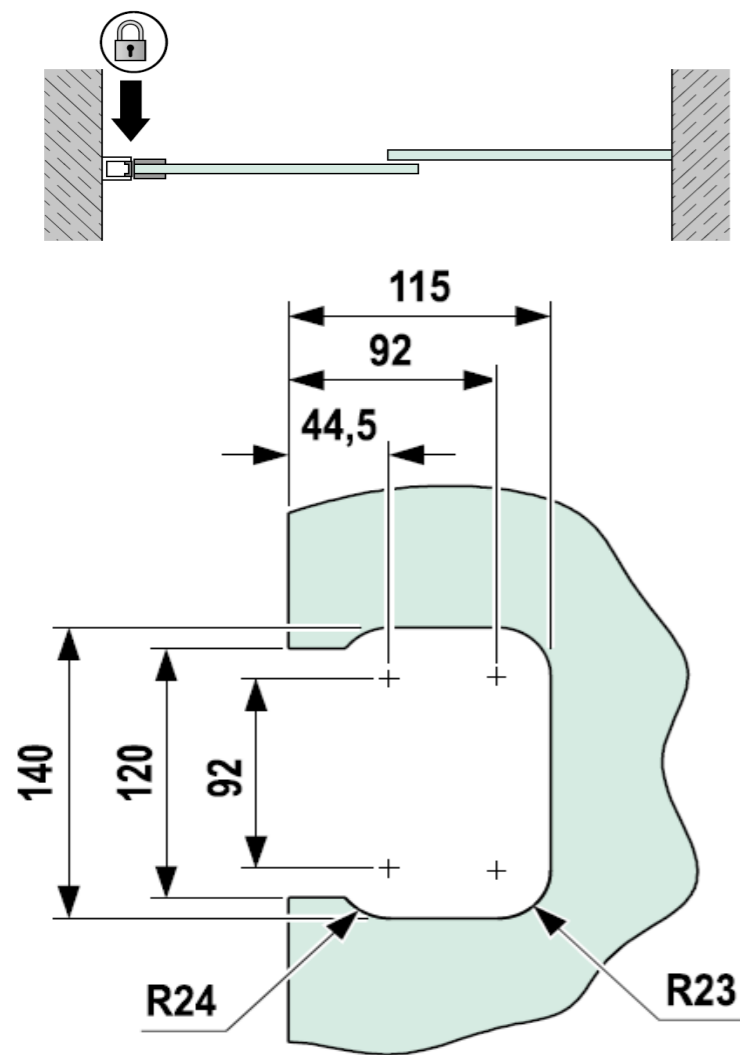
Profile used	Glass thickness of fixed glazing		
	8 mm / 8.76 mm	10 mm / 10.76 mm	12 mm / 12.76 mm
<b>Portavant M 50/M 80 track profile for ceiling mounting with sidelight</b> Profile delivered with complete sets for ceiling mounting with sidelight item nos. 625 *26 and 626 *26	-	Type 1	Type 3
<b>Portavant G 120 track profile for ceiling mounting with sidelight</b> Profile delivered with the complete sets for ceiling mounting with sidelight item no. 627 *26	-	Type 1	Type 3
<b>Portavant 60 twinline sidelight holding profile</b> Profile delivered with the Portavant 60 twinline supplementary set for sidelight item no. 616 550	-	Type 1	Type 3
<b>Portavant 80 automatic sidelight holding profile</b> Profile delivered with the Portavant 80 automatic supplementary set for sidelight item no. 617 550	-	Type 1	Type 3
<b>Floor/wall profile (U-profile)</b> item no. 617 520	Type 1	Type 2	Type 3
<b>Ceiling profile (U-profile)</b> item no. 617 530	Type 1	Type 2	Type 3

Locking system and door stop profiles with/without striking plate

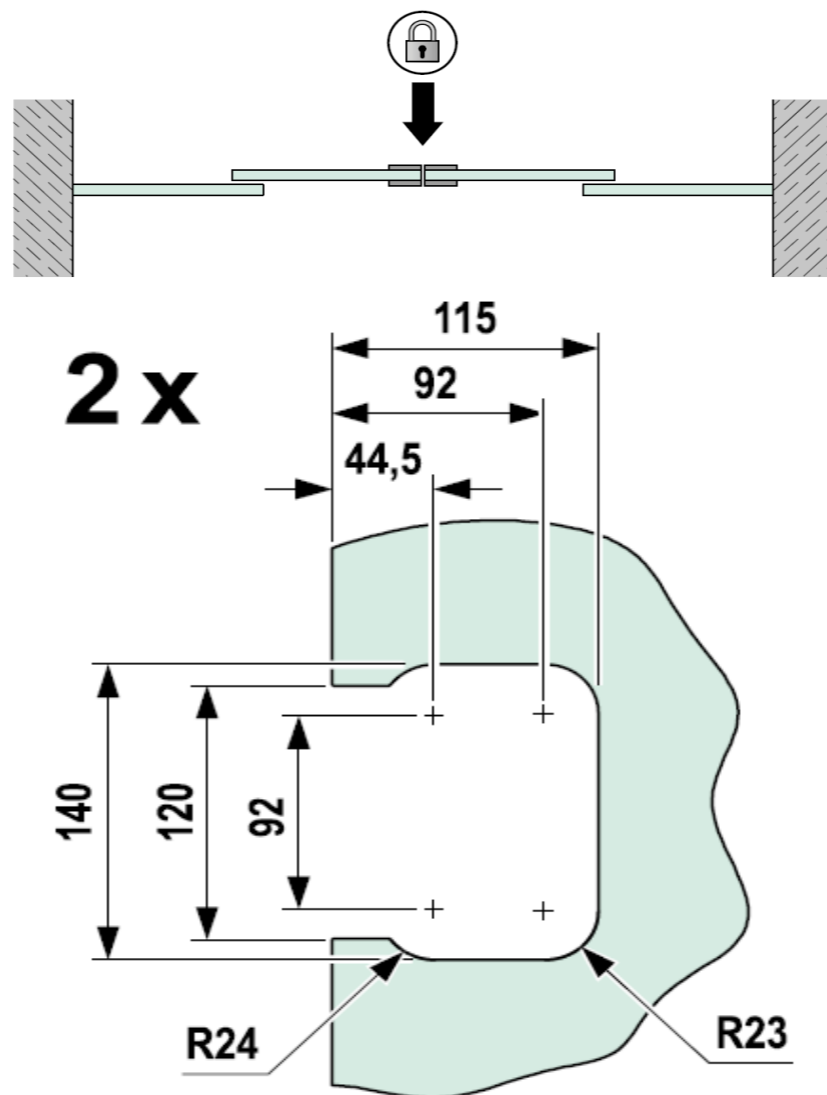
Illustration	Description	Profile length	Item number	Finish	Unit	Price in EUR
	<b>Glass sliding door lock for interchangeable cylinder (EU)</b> (lock cylinder excluded)		617 280.0000.110	EV1	1 piece	
			617 280.0000.120	C31	1 piece	
			617 280.0000.517	RAL 9016 powder-coated traffic white, fine texture matt	1 piece	
			617 280.0000.593	RAL 7016 powder-coated anthracite grey, fine texture matt	1 piece	
			617 280.0000.595	RAL 9005 powder-coated black, matt	1 piece	
Note: glass cut-out required (see p. 7). For locking two-sided, linear installations at the centre of the installation, in addition a strike box (item no. 617 282 ...) is required.						
	<b>Strike box with handle to be combined with glass sliding door lock (item no. 617 280 ...)</b>  for locking two-sided, linear installations at the centre of the installation (lock can be operated from the outside and the inside)		617 282.0000.110	EV1	1 piece	
			617 282.0000.120	C31	1 piece	
			617 282.0000.517	RAL 9016 powder-coated traffic white, fine texture matt	1 piece	
			617 282.0000.593	RAL 7016 powder-coated anthracite grey, fine texture matt	1 piece	
			617 282.0000.595	RAL 9005 powder-coated black, matt	1 piece	
Note: glass cut-out required (see p. 7).						
	<b>Lock cylinder attachment with two bump stops on each side</b>  to prevent collisions of a protruding lock cylinder with further sashes		617 284.0000.110	EV1	1 piece	
		Note: for right- and left-hand use. For information on lock cylinder lengths, see page 7.				
	<b>Door stop profiles</b> include: 1 x door stop profiles "L" 1 x door stop profiles "I" 1 x rubber stop strip (black) 1 x striking plate set 1 x or 2 x fixing material 1 x supplementary instructions	1996 mm	627 410.1996.110	EV1	1 piece	
			.120	C31	1 piece	
		2496 mm	627 410.2496.110	EV1	1 piece	
			.120	C31	1 piece	
		2996 mm	627 410.2996.110	EV1	1 piece	
			.120	C31	1 piece	
		4996 mm	627 410.4996.110	EV1	1 piece	
			.120	C31	1 piece	
		Custom length (mm)	627 410.length.110	EV1	per m [custom length]*	
			.120	C31	per m [custom length]*	
Note: the door stop profiles with/without striking plate can be used for the Portavant M 50/M 80, Portavant M 50/M 80 wood, Portavant G 120, Portavant G 120 wood, Portavant 60 twinline (ceiling mounting), Portavant 150 and Portavant 150 wood.						

Planning criteria glass sliding door lock for interchangeable cylinder (EU) and strike box

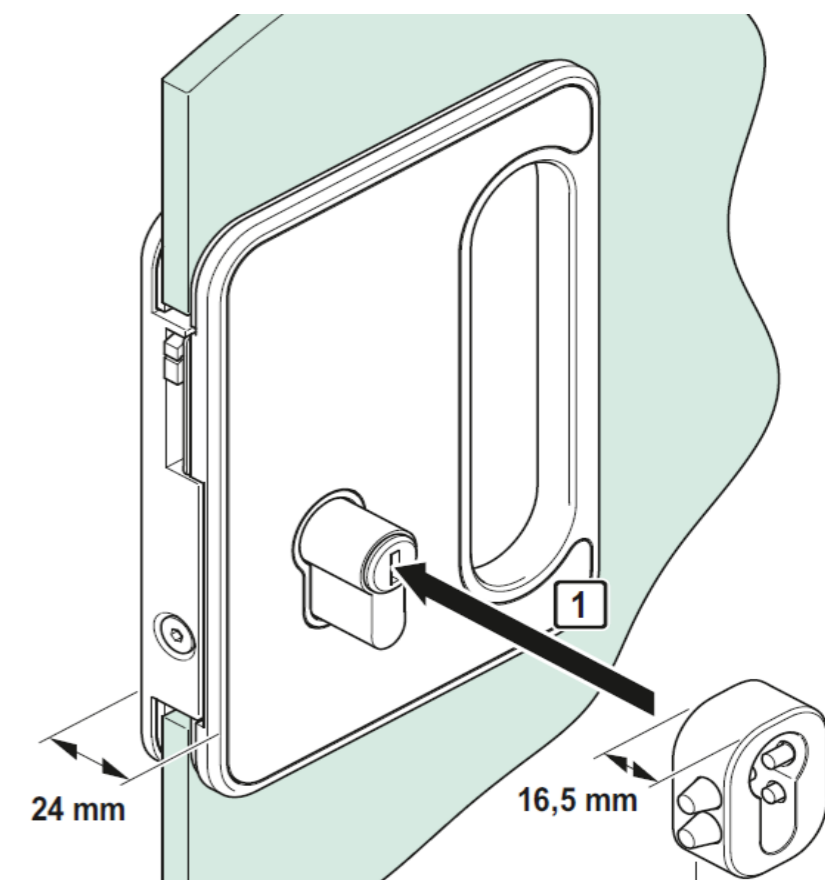
Glass cut-out for use of the glass sliding door lock (item no. 617 280 ...) with the Portavant door top profiles incl. striking plate (item no. 627 410 ...)



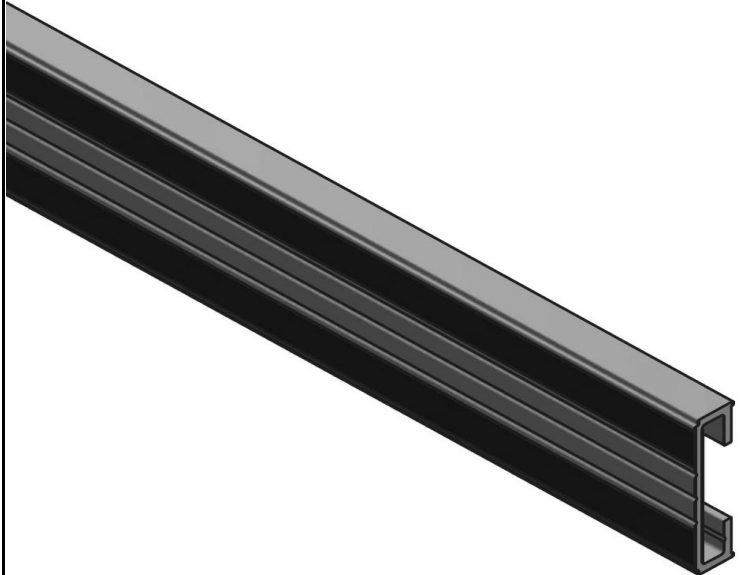
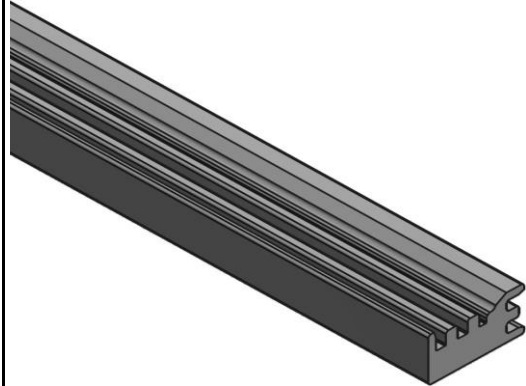
Glass cut-outs for use of the glass sliding door lock (item no. 617 280 ...) with the strike box (item no. 617 282 ...)



Measurements bump stop (item no. 617 284 ...)




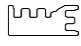
Spacer profiles

Illustration	Description	Profile length	Item number	Finish	Unit	Price in EUR	
	<b>Spacer profile</b> 39 x 10 mm	1996 mm	627 420.1996.110	EV1	1 piece		
				.120	C31	1 piece	
		2496 mm	627 420.2496.110	EV1	1 piece		
				.120	C31	1 piece	
		2996 mm	627 420.2996.110	EV1	1 piece		
				.120	C31	1 piece	
		3496 mm	627 420.3496.110	EV1	1 piece		
				.120	C31	1 piece	
		3996 mm	627 420.3996.110	EV1	1 piece		
			.120	C31	1 piece		
		5996 mm	627 420.5996.110	EV1	1 piece		
			.120	C31	1 piece		
		Custom length (mm)	627 420.length.110	EV1	per m (custom length)		
			.120	C31	per m (custom length)		
<p>Note: the spacer profile can be used horizontally to shim the track profile in case of wall mounting using Portavant M 50/M 80, Portavant M 50/M 80 wood, Portavant G 120 and Portavant G 120 wood in installation situations with door frame. When used vertically, the spacer profile serves to shim the Portavant door stop profiles. See the planning criteria on pages 9-11 to determine the number of spacer profiles required.</p> <p>Compulsory accessories when using the spacer profile horizontally to shim the track profile in case of wall mounting with door frame: complementary accessory kit with end plates (see the Portavant M 50/M 80, Portavant M 50/M 80 wood, Portavant G 120 or Portavant G 120 wood article lists).</p>							
	<b>Spacer gap cover profile</b> 19 x 9 mm	1996 mm	627 430.1996.110	EV1	1 piece		
				.120	C31	1 piece	
		3996 mm	627 430.3996.110	EV1	1 piece		
				.120	C31	1 piece	
		Custom length (mm)	627 430.length.110	EV1	per m (custom length)		
			.120	C31	per m (custom length)		
<p>Note: to cover the gap between the track profile and the wall when using the spacer profile.</p> <p>See the planning criteria on pages 9-10 to determine the number of profiles required to cover the spacer gap (depending on the thickness of the door frame).</p>							



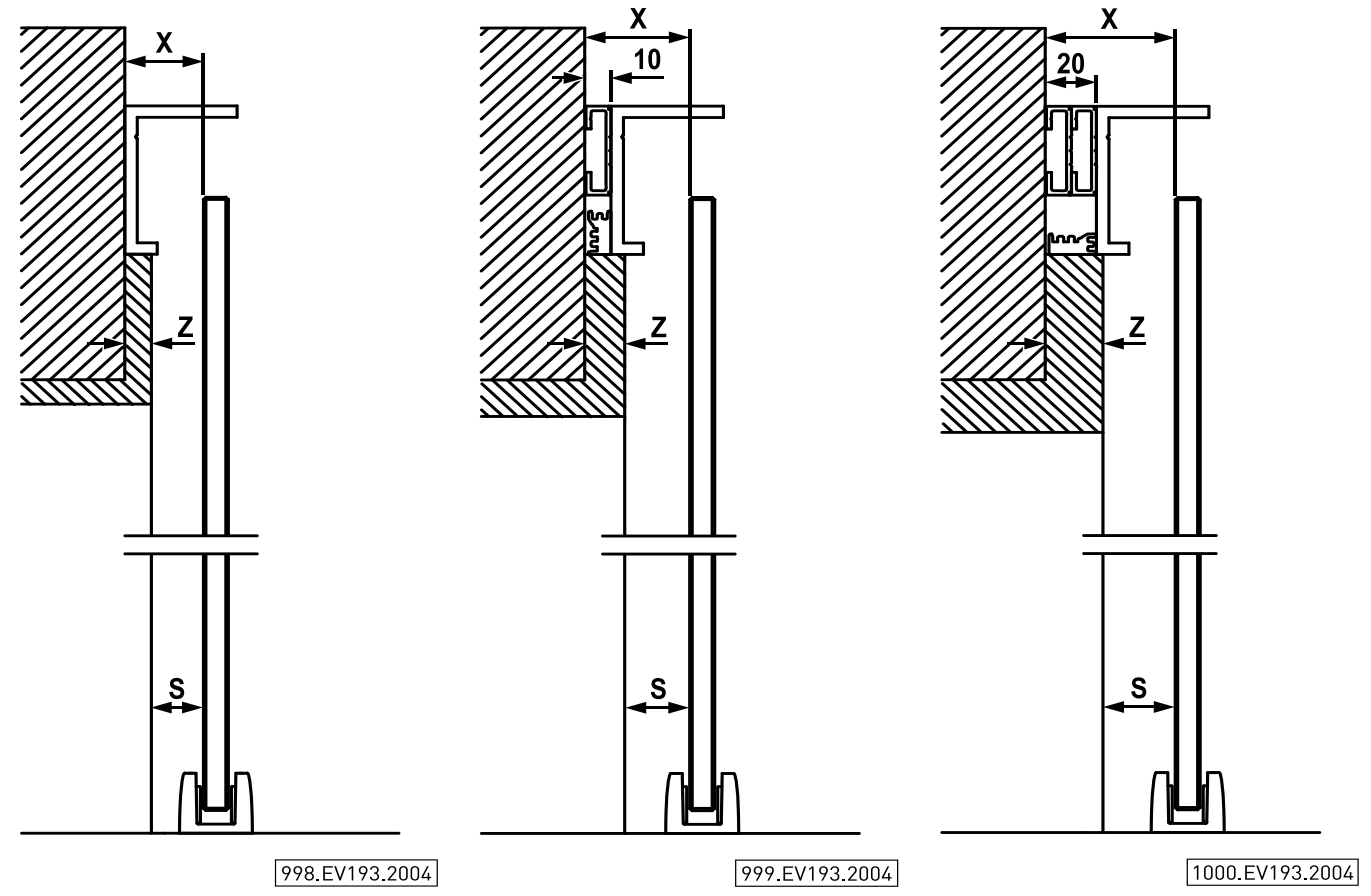
Planning criteria to determine the number of spacer profiles and spacer gap cover profiles required (depending on the thickness of the door frame) - Glass sliding sash

**Legend:**  
 S = gap dimension  
 X = distance between wall and edge of glass sash  
 Z = thickness of door frame

Portavant M 50 / M 80	Z =	0 - 11 mm	12 - 21 mm	22 - 31 mm
Portavant G 120	Z =	0 - 13 mm	14 - 23 mm	24 - 33 mm
Item number 627 420		0 x	1 x	2 x
Item number 627 430*		0 x	1 x	1 x
Portavant M 50 / M 80	X =	19 mm	29 mm	39 mm
Portavant G 120	X =	21 mm	31 mm	41 mm

$S = X - Z \geq 8 \text{ mm}$

\* optional





998.EV193.2004

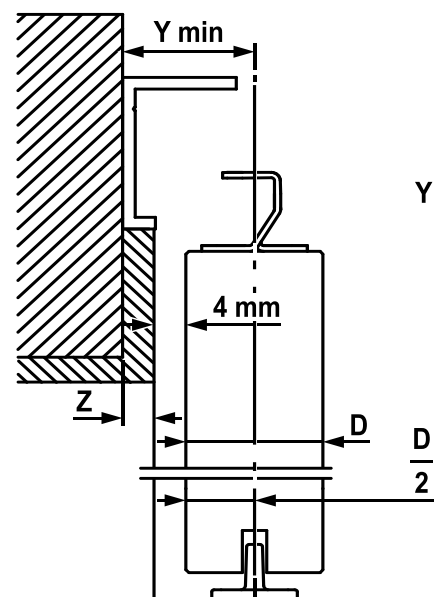
999.EV193.2004

1000.EV193.2004

Planning criteria to determine the number of spacer profiles and spacer gap cover profiles required (depending on the thickness of the door frame) - Wood sliding sash

**Legend:**  
 D = thickness of door leaf  
 S = gap dimension  
 Y = distance between wall and middle of wood sash  
 Y<sub>min</sub> = minimum distance between wall and middle of wood sash  
 Z = thickness of door frame

Portavant M 50 / M 80 wood	Y <sub>min</sub> =	0 - 31 mm	32 - 41 mm	42 - 51 mm
Portavant G 120 wood	Y <sub>min</sub> =	0 - 31 mm	32 - 41 mm	42 - 51 mm
Item number 627 420		0 x	1 x	2 x
Item number 627 430*		0 x	1 x	1 x
Portavant M 50 / M 80 wood	Y =	31 mm	41 mm	51 mm
Portavant G 120 wood	Y =	31 mm	41 mm	51 mm

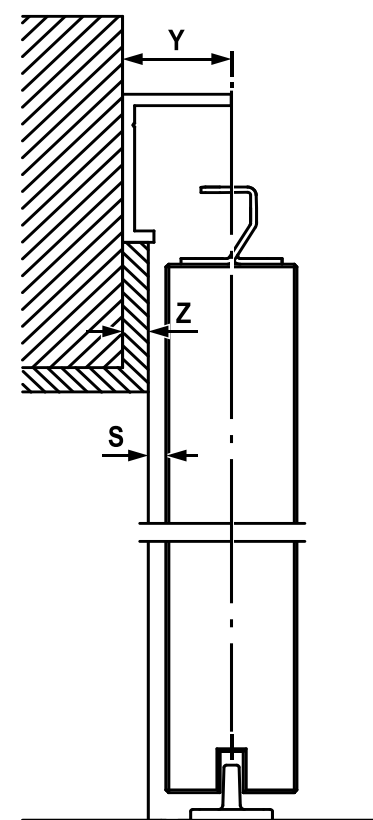


$$Y_{\min} = \frac{D}{2} + Z + 4 \text{ mm}$$

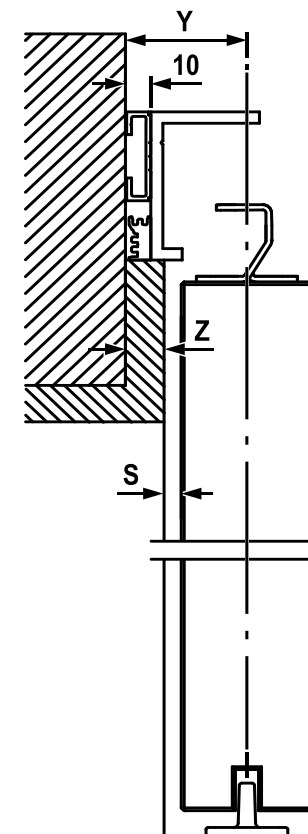
$$S = Y - Z - D/2 \geq 4 \text{ mm}$$

1033.EV193.2004

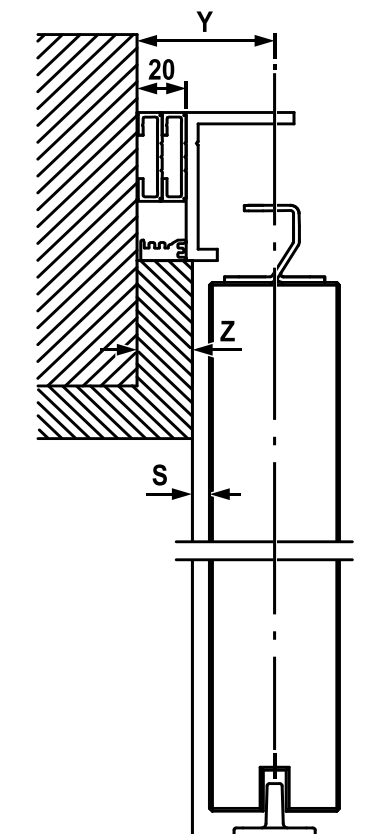
\* optional



1001.EV193.2004

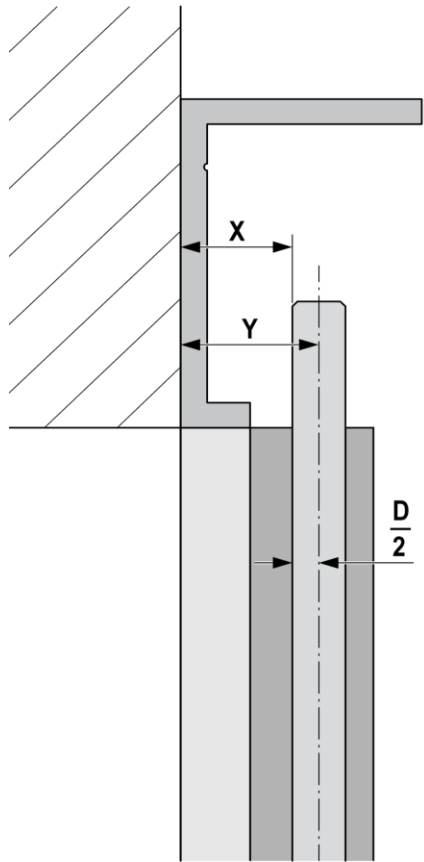


1002.EV193.2004


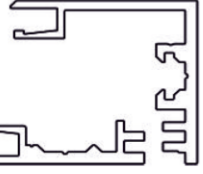

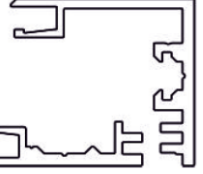

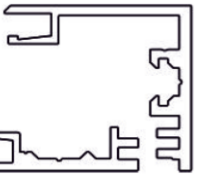



1003.EV193.2004

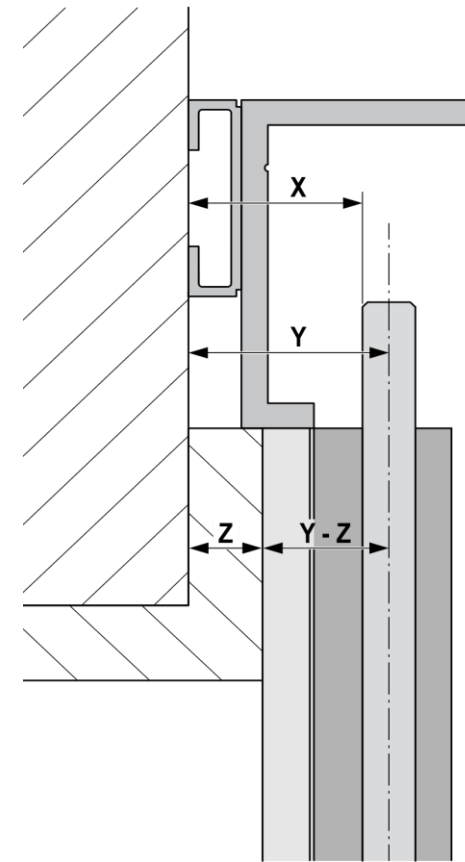
Planning criteria to determine the number of vertical spacer profiles required in combination with the Portavant door stop profiles with/without striking plate




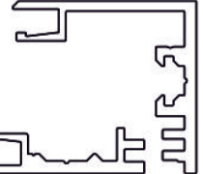

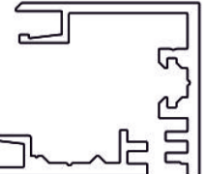

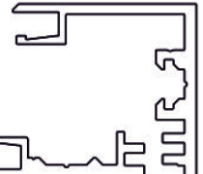

1015.EV193.2005

$14 < Y \leq 23$	0 x  (Item no. 627 420)
	1 x  (Item no. 627 410)
$24 \leq Y \leq 33$	1 x  (Item no. 627 420)
	1 x  (Item no. 627 410)
$34 \leq Y \leq 43$	2 x  (Item no. 627 420)
	1 x  (Item no. 627 410)
$Y > 43$	

$Y = X + D/2$




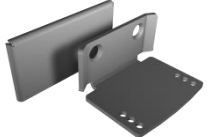


1016.EV193.2005



$14 < Y - Z \leq 23$	0 x  (Item no. 627 420)
	1 x  (Item no. 627 410)
$24 \leq Y - Z \leq 33$	1 x  (Item no. 627 420)
	1 x  (Item no. 627 410)
$34 \leq Y - Z \leq 43$	2 x  (Item no. 627 420)
	1 x  (Item no. 627 410)
$Y - Z > 43$	

$Y - Z = X + D/2 - Z$

Floor guides 12

	Illustration	Description	Item number	Finish	Unit	Price in EUR		
Do you require additional floor guides to the one included in the accessory kit?		<b>Replacement floor guide</b> incl. inserts Glass thickness: 8 mm to 12.76 mm	617 264.0000.110	EV1	1 piece			
			.120	C31	1 piece			
			.595	RAL 9005	1 piece			
			.517	RAL 9016	1 piece			
			Note: both the complete set and the accessory kit already contain a floor guide.					
Do you have satinised or matt-finished sliding sashes and do you need a special floor guide to make sure that these are guided without grinding noises?		<b>Floor guide for satinised and matt-finished sashes</b> incl. floor guide housing, Glass thickness: 8 mm and 10 mm tempered glass	617 295.0000.110	EV1	1 piece			
			.120	C31	1 piece			
			.595	RAL 9005	1 piece			
			.517	RAL 9016	1 piece			
			Note: both the complete set and the accessory kit already contain a floor guide for sashes without satin/matt finish.					
		<b>Floor guide insert for satinised and matt-finished sashes</b> without floor guide housing Glass thickness: 8 mm and 10 mm tempered glass	617 296.0000.000		1 piece			
			Note: the insert for satinised or matt-finished sashes can be placed into the floor guide housings already contained in the complete set or the accessory kit.					
Do you need a bracket for fixing the floor guide to the wall rather than to the floor?		<b>Wall bracket for floor guide</b> suitable for floor guides item 617 264... and item 617 295...	627 297.0000.020	stainless steel	1 piece			
			Note: this wall bracket is suitable for the Portavant M 50, Portavant M 80, Portavant 60, Portavant 60 twinline, Portavant 80 automatic, Portavant 120 and Portavant G 120 floor guides.					



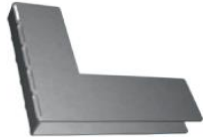
Tools – Torque screwdrivers and blades 13

	Illustration	Description	Item number	Finish	Unit	Preis in EUR	
Do you need a torque screwdriver for a professional installation?		Torque screwdriver from 1 Nm up to 5 Nm (without blade)	617 260.0000.000		1 piece		
		Necessary system component: blade item nos. 617 259.0030.000, 617 259.0010.000, 617 259.0000.000 or 617 259.0020.000					
		Blade for torque screwdriver item no. 617 260.0000.000	SW 2.0	617 259.0030.000	1 piece		
			SW 2.5	617 259.0010.000	1 piece		
			SW 3.0	617 259.0000.000	1 piece		
		SW 4.0	617 259.0020.000	1 piece			
	Not suitable for torque screwdriver item no. 617 261.0000.000. You will find an overview of the required blade sizes on the next page.						
		Torque screwdriver from 3.2 Nm up to 16 Nm (without blade)	617 261.0000.000		1 piece		
		Necessary system component: blade item no. 617 258.0000.000.					
		Blade for torque screwdriver item no. 617 261.0000.000	SW 4.0	617 258.0000.000	1 piece		
Not suitable for torque screwdriver with item no. 617 260.0000.000. You will find an overview of the required blade sizes on the next page.							

Matrix for determining the required torques and blades 14

Torque screwdriver	Blade	Portavant M 50 / M 80 (wood)	Portavant G 120 (wood)	Portavant 60 twinline	Portavant 80 automatic	Portavant 150 (multiline / wood)
1 - 5 Nm Item no. 617 260.0000.000	SW 2.0 Item no. 617 259.0030.000	X				
	SW 2.5 Item no. 617 259.0010.000		X	X		X
	SW 3.0 Item no. 617 259.0000.000	X	X	X	X	X
	SW 4.0 Item no. 617 259.0020.000		(x) (only for glass wall mounting)			
3,2 - 16 Nm Item no. 617 261.0000.000	SW 4.0 Item no. 617 258.0000.000		X	X	X	X

Handles – Finger pull handle without glass drilling 15

Illustration	Description	Item number	Finish	Unit	Price in EUR
	<p><b>Self-adhesive, round finger pull handle (closed)</b>                      diameter: 64 mm,                      self-adhesive, without glass drilling,                      suitable for any glass thickness,                      weight: 0.4 kg</p>	617 266.0000.110	EV1	1 pair	
		.020	stainless steel	1 pair	
		.190	C35	1 pair	
Note: no glass drilling required.					
	<p><b>Self-adhesive, square finger pull handle (closed)</b>                      dimensions: 60 mm x 60 mm,                      self-adhesive, without glass drilling,                      suitable for any glass thickness,                      weight: 0.4 kg</p>	617 270.0000.020	stainless steel	1 pair	
Note: no glass drilling required.					
	<p><b>Mounting jig</b>                      for self-adhesive finger pull handle                      (item no. 617 266.0000.110/020 and                      item no. 617 270.0000.020)                      for reliable positioning on the sliding door, both sides and congruent</p>	617 290.0000.000		1 piece	

Handles – Finger pull handles and bar handles with glass drilling

Illustration	Description	Item number	Finish	Unit	Price in EUR
	<b>Round finger pull handle (closed)</b> diameter: 65 mm for 50 mm drill hole diameter glass thickness: 8 mm to 10 mm weight: 0.4 kg	617 267.0000.110	EV1	1 pair	
		.120	C31	1 pair	
Note: colour EV1 matching profiles in EV1; colour C31 matching profiles in C31.					
	<b>Round finger pull handle</b> diameter: 44 mm symmetrical grip depth for 37 mm drill hole diameter glass thickness: 8 mm to 12.76 mm weight: 0.2 kg		617 267.0010.020	stainless steel	1 pair
	<b>Bar handle</b> bar length: 400 mm drill hole distance: 200 mm bar diameter: 25 mm drill hole diameter: 16 mm glass thickness: 8 mm to 12.76 mm weight: 1.5 kg	617 268.0000.110	EV1	1 pair	
		.020	stainless steel	1 pair	
Note: colour EV1 matching profiles in EV1.					
	<b>Bar handle</b> bar length: 700 mm drill hole distance: 500 mm bar diameter: 25 mm drill hole diameter: 16 mm glass thickness: 8 mm to 12.76 mm weight: 2.1 kg	617 269.0000.110	EV1	1 pair	
		.020	stainless steel	1 pair	
Note: colour EV1 matching profiles in EV1.					











## The company

With its VITRIS product division, Willach is among the leading producers of glass fittings in Europe. Since its foundation in 1889, the company has been dedicated to the manufacture of products to the highest quality and precision standards. Willach quickly cemented its pioneering reputation with numerous technical innovations and intelligent solutions that paid close attention to intricate detail. With the Portavant product line, Willach today offers a range of elegant, technically sophisticated fittings for glass sliding interior doors. The Aquant product line offers high-quality fittings for shower glass sliding doors. In addition, the Atrivant product line offers intelligent sliding glass door fittings for balcony and terrace glazing. Furthermore, the VITRIS product range comprises a comprehensive modular system of showcase fittings, sliding door locks and slot bar systems for discerning interior, shop and trade show furnishings. VITRIS products are certified in accordance with ISO standards and are manufactured at our Ruppichteroth production site in Germany to stringent manufacturing standards. This forms the basis for the excellent quality and consistently high level of availability of the entire VITRIS range.

Please contact us and we will be happy to advise you!



Gebr. Willach GmbH  
Stein 2  
D-53809 Ruppichteroth  
Germany  
Tel.: +49 (0)2295 9208 420  
Fax: +49 (0)2295 9208 429  
vitris@willach.com  
www.willach.com

**Willach Group**



**Portavant from Vitris–  
the innovative system for room-high glass sliding doors made by Willach**

Stamp

Product descriptions, drawings and illustrations represent neither assured characteristics nor declarations of guarantee. Subject to change, errors excepted.

Edition 04/2023